

« PARTS LIST »

ELTO PAL

MODEL 4266

FOR MOTORS 4266—00001 TO 4266—02000

« INSTRUCTIONS ON HOW TO ORDER »

For their convenience, as well as ours, we ask our customers to carefully follow our instructions in ordering parts.

We also request that owners order their parts from our dealer or nearest service station or distributor.

Order by Part Number giving **Name** of part also.

Always Give the Serial Number of the Motor for which Part or Parts Required. This is very important, and is necessary to intelligently fill your order. If you cannot give the number of the motor, state when and from whom the motor was purchased.

Telegrams and How to Use "Evinrude Code".

Telegram rates are based on ten words or less for immediate delivery. Day letter or night letter rates are considerably cheaper. Detailed information may be found on rear of any telegram blank.

Use the following code only on messages of more than ten words. Each five code letters are charged for as a word. English words and code words

may be used in the same message, but code letters cannot be combined with English words.

A—1	F—6	K—Each
B—2	G—7	P—Number
C—3	H—8	Q—Air mail
D—4	I—9	V—Air express
E—5	J—0	X—Express
		Y—Parcel post
		Z—Freight

Following is an example of a telegram not coded and the same reduced to code:

(Not Coded — 22 Words.) Parcel Post Two Number One Three Naught Naught Four Four Propeller Nut Twelve One Three Naught Naught Five Three Shear Pins.

(Coded — 8 Words.) YBPAC JJDD Propeller Nut ABPAC JJEC Shear Pins.

Do not use this code in cable messages.

ROUTING — TERMS — RETURNS

Shipping Instructions. Unless specific instructions accompany the order, we will use our own judgment as how to ship.

Terms: Cash with Order or C. O. D.

In ordering parts, to avoid C. O. D. shipments and extra charges, all orders should be accompanied by cash. Save time and money by remitting sufficient cash to cover cost of parts and **Transportation Charges.** Stamps are accepted in payment of all orders not over \$1.00. The right to hold all

orders unaccompanied by cash is reserved by Evinrude Motors, Milwaukee.

A minimum charge of \$0.50 net will be made on all orders amounting to less than this amount. We reserve the right to furnish additional parts to make up the difference.

Instructions on Returning Parts. Parts can only be returned in accordance with terms outlined under the Service Policy laid down in the instruction manual.

All Prices Subject to Change Without Notice

EVINRUDE MOTORS, Milwaukee, Wis., U.S.A.

Cable Address "EVINRUDE"

LIST OF PARTS FOR ELTO PAL MOTOR

For Motors 4266-00001 to 4266-02000

132487 FLYWHEEL NUT

121026 FLYWHEEL KEY

160251 CRANKSHAFT

194745 FLYWHEEL AS.

102135 ARMATURE BASE

120777 SPRING RING

121121 LOCK PLATE

131016 SPEED CONTROL HANDLE SCREW

120052 LOCKWASHER

171274 CARBURETOR GASKET

102012 SPEED CONTROL HANDLE

195226 MAGNETO COMPLETE

195227 ARMATURE BASE COMPLETE

195250 CRANKCASE ONLY

102015 MIXTURE LEVER

194655 HANDLE AS.

170984 HANDLE GRIP

132964 ADJUSTING NEEDLE

132691 NEEDLE GLAND

171113 NEEDLE PACKING

132645 MIXTURE LEVER SCREW

195031 LOW. C.S. BRG. & TUBE AS.

132929 STOP PIN

171278 LOW. C.S. BRG. GASKET .008

171279 LOW. C.S. BRG. GASKET 1/64

132871 BRACKET TILTING BOLT

120964 WASHER

120255 LOCK WASHER

130162 NUT

133073 DRIVE TUBE

194980 STERN BRACKET AS.

195350 CLAMP SCREW AS.

120999 CLAMP SCREW BUTTON

133024 BRACKET ADJ. BOLT

121119 COTTER PIN

195051 PIVOT BEARING AS.

120944 PIVOT BEARING BUSHING

195030 C.C. & LOW. C.S. BRG. & TUBE AS.

171204 PIVOT BRG. FRICTION WASHER

102016 STEERING HANDLE CLAMP

130600 STEERING HANDLE CLAMP SCREW

194926 FILLER CAP AS.

132357 VENT SCREW

170978 VENT SCREW GASKET

171088 CAP GASKET

170979 CAP SPRING

120974 WASHER

195228 GASOLINE TANK

171280 CYLINDER GASKET

132963 CONNECTING ROD SCREW

120960 SPRING RING

102025 PISTON RING

194804 PISTON & RINGS

132962 PISTON PIN

133374 PISTON PIN .008 OVERSIZE

194789 CONNECTING ROD

194553 SPARK PLUG AS.

120129 FREEZE PLUG

194726 CYLINDER

132830 CYLINDER STUD

130201 CYLINDER NUT

120054 LOCKWASHER

171265 EXHAUST GASKET

130197 EXHAUST RELIEF SCREW

120054 LOCKWASHER

130395 LOW. BRG. SCREW (SHORT)

132395 LOW. BRG. SCREW (LONG)

120054 LOCKWASHER

131147 PIVOT BEARING SCREW

120979 PIVOT BEARING SCREW LOCK

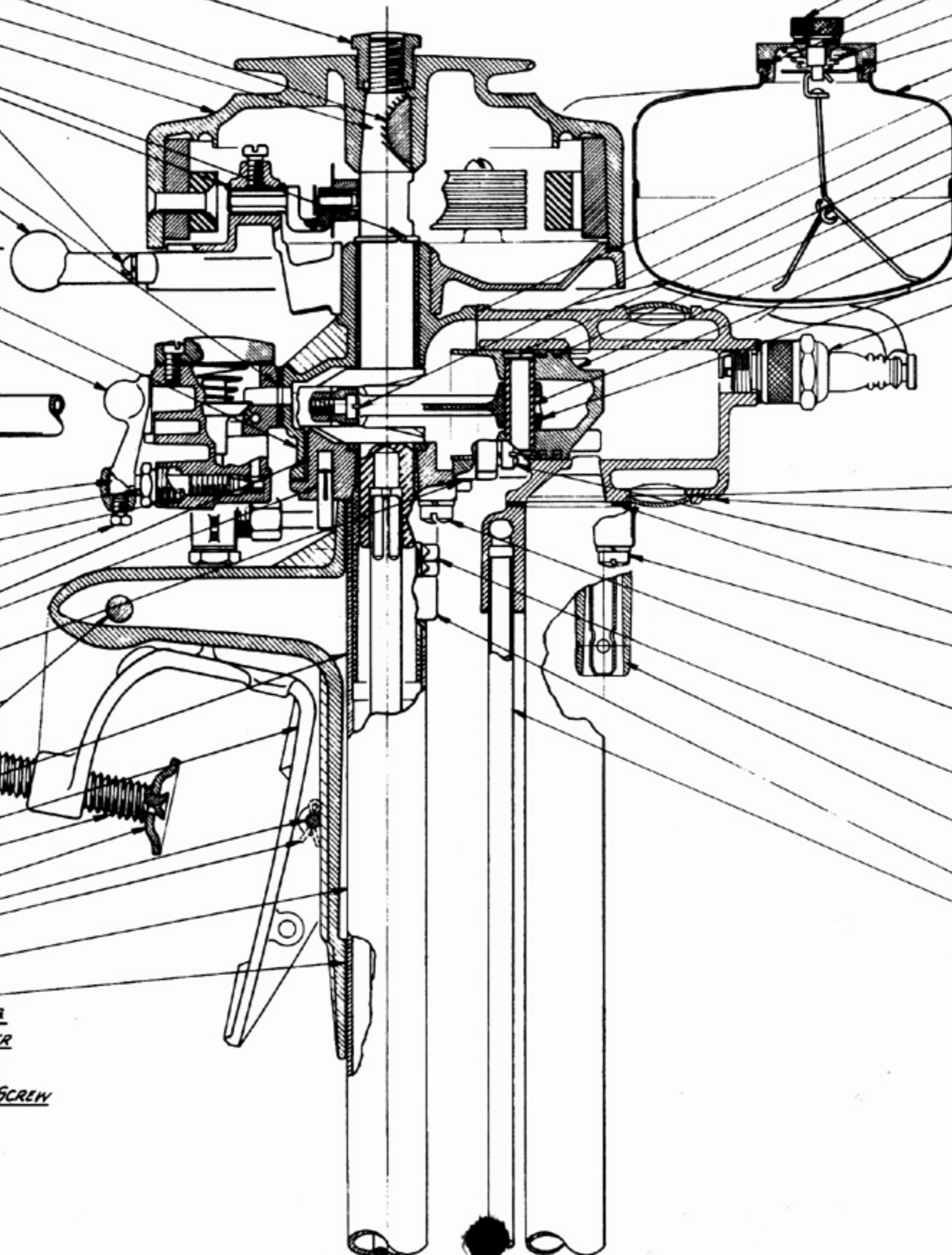
195054 EXHAUST RELIEF ONLY

194786 EXHAUST RELIEF AS.

101961 PIVOT BEARING CAP

132974 WATER PIPE

132975 OUTLET WATER PIPE

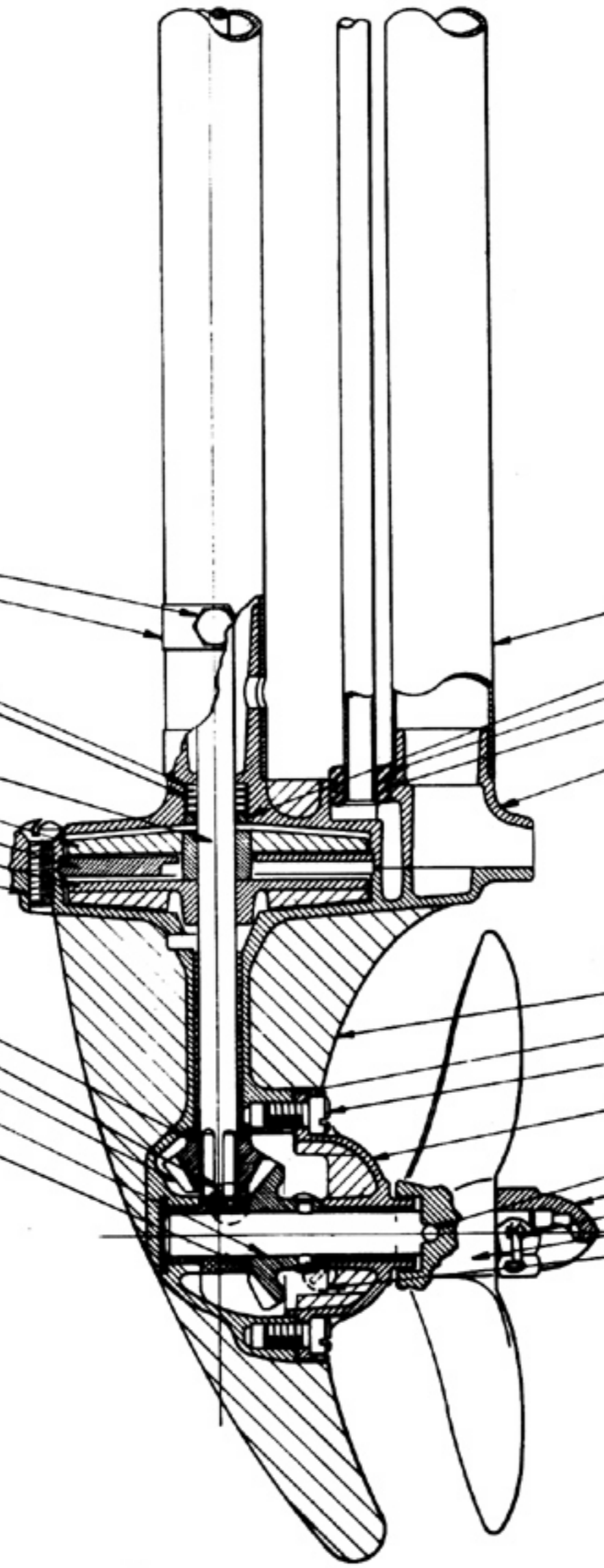


- 132,613 TUBE SCREW
- 120,963 TUBE LOCKSTRAP
- 171,201 SEALING WASHER SPACER
- 171,203 SEALING WASHER (CORK)
- 194,587 DRIVE SHAFT & IMPELLER AS.
- 132,857 DRIVE SHAFT ONLY
- 101,935 IMPELLER (UPPER)
- 194,755 DEFLECTOR
- 101,936 IMPELLER (LOWER)
- 132,868 PUMP BODY SCREW
- 120,941 THRUST WASHER
- 130,314 GREASE PLUG
- 101,943 DRIVE SHAFT GEAR
- * 101,944 PROPELLER GEAR
- 132,864 GEAR PIN
- * 132,863 PROPELLER SHAFT
- 120,942 THRUST WASHER
- 195,050 LOW. UNIT AS. (LESS PROP.)
- 194,809 GEAR HOUSING AS. (LESS PROP.)
- 194,591 PROP. SHAFT & GEAR AS.

- 132,859 EXHAUST TUBE
- 120,943 SEALING WASHER RETAINER
- 171,260 WATER PIPE BUSHING
- 132,936 BUSHING RETAINER
- 195,032 PUMP BODY & RETAINER

- 195,052 GEAR HOUS. & CAP
- 194,646 GEAR HOUSING ONLY
- 171,281 CAP GASKET
- 132,179 CAP SCREW
- 195,356 GEAR HOUSING CAP
- 132,865 SHEAR PIN
- 132,866 PROPELLER NUT
- 120,099 COTTER PIN
- 102,024 PROPELLER
- 133,195 DRAIN SCREW
- 170,778 DRAIN SCREW GASKET

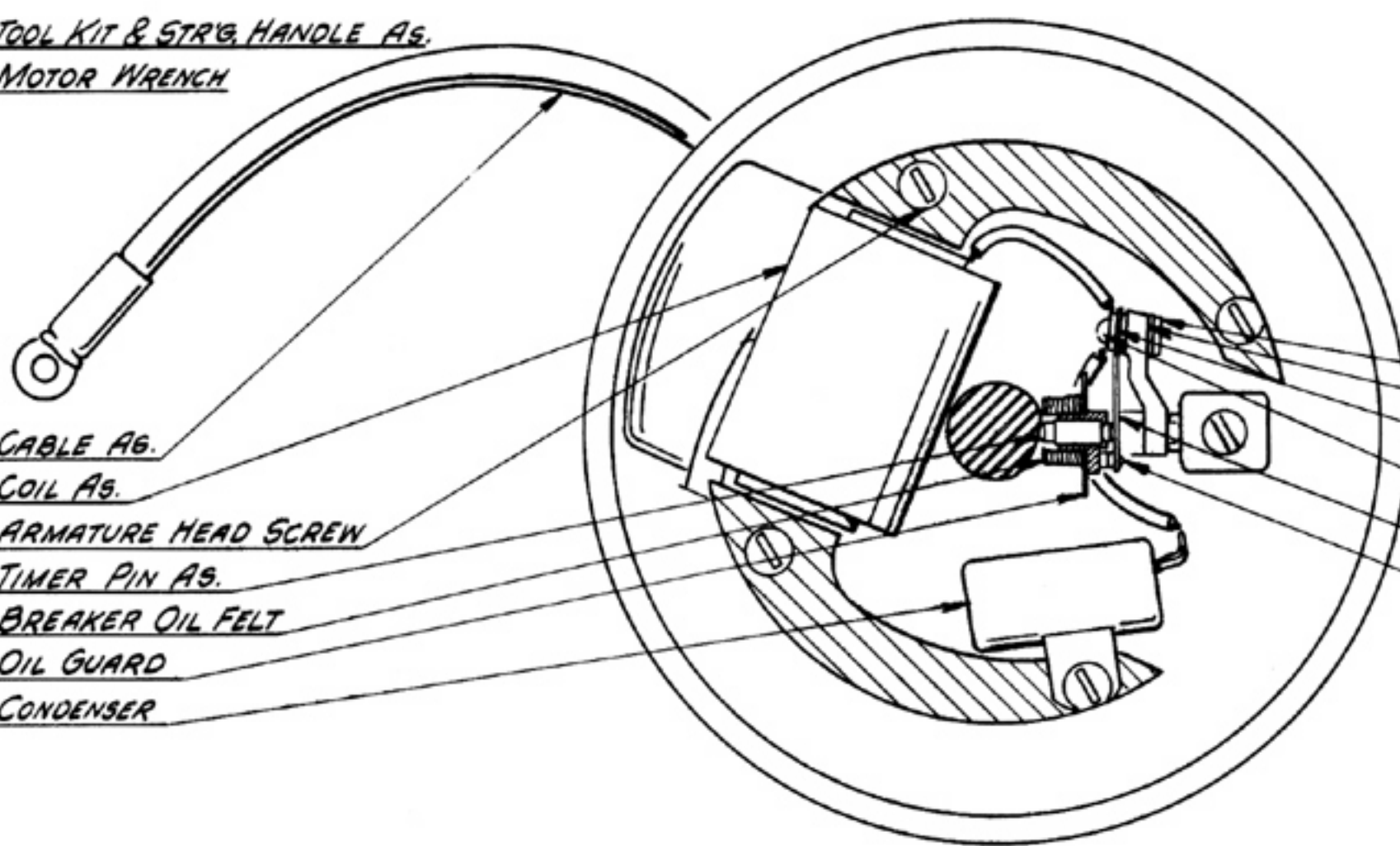
* NOT SUPPLIED SEPARATELY-USE 194,591



194657 TOOL KIT & STRG. HANDLE AS.
120970 MOTOR WRENCH

193374 CABLE AS.
193859 COIL AS.
133292 ARMATURE HEAD SCREW
193526 TIMER PIN AS.
170947 BREAKER OIL FELT
120896 OIL GUARD
171448 CONDENSER

120756 SPRING SCREW PLATE
171065 INSULATING PLATE
120755 CONTACT PLATE
171186 INSULATING BUSHING
182244 BREAKER ARM SPRING SCREW
194508 BREAKER AS.
194520 CONTACT SPRING AS.
121020 FEELER



020 BREAKER 0710 P5520

194036 STARTER ROPE AS.
120001 CABLE CLAMP
130255 CLAMP SCREW
120052 LOCKWASHER
194788 COCK AS.
130900 CARBURETOR SCREW
130494 COMP. SLEEVE
130493 COMP. NUT
171271 FLOAT
120813 FLOAT LOCK
132351 INLET NEEDLE
121018 STRAINER SCREEN
133143 GAS PIPE ONLY
102130 ELBOW
133115 STRAINER PLUG
170945 GASKET
195229 GAS PIPE AS.

132583 BREAKER ARM SCREW
131771 CLAMP SCREW
120054 LOCKWASHER
130934 TANK SCREW
120054 LOCKWASHER
195143 CARBURETOR AS.
194776 CARBURETOR COVER AS.
171268 VALVE BUMPER
132509 COVER SCREW
171272 COVER GASKET
195141 CARBURETOR BODY
171270 VALVE SPRING
160253 CHECK VALVE
160219 RELIEF PIN
132506 RELIEF PIN BUTTON

