

« PARTS LIST » ELTO PAI

MODEL 4266

FOR MOTORS NUMBERED 4266-012001 AND UP

« INSTRUCTIONS ON HOW TO ORDER »

For their convenience, as well as ours, we ask our customers to carefully follow our instructions in ordering parts.

We also request that owners order their parts from our dealer or nearest service station or distributor.

Order by Part Number giving **Name** of part also.

Always Give the Serial Number of the Motor for which Part or Parts Required. This is very important, and is necessary to intelligently fill your order. If you cannot give the number of the motor, state when and from whom the motor was purchased.

Telegrams and How to Use "Evinrude Code". Telegram rates are based on ten words or less for immediate delivery. Day letter or night letter rates are considerably cheaper. Detailed information may be found on rear of any telegram blank.

Use the following code only on messages of more than ten words. Each five code letters are charged for as a word. English words and code words

may be used in the same message, but code letters cannot be combined with English words.

A-1	F-6	K-Each
B-2	G-7	P-Number
C-3	H-8	Q-Air mail
D-4	I-9	V-Air express
E-5	J-0	X-Express
		Y-Parcel post
		Z-Freight

Following is an example of a telegram not coded and the same reduced to code:

(Not Coded — 22 Words.) Parcel Post Two Number One Three Naught Naught Four Four Propeller Nut Twelve One Three Naught Naught Five Three Shear Pins.

(Coded — 8 Words.) YBPAC JJDD Propeller Nut ABPAC JJEC Shear Pins.

Do not use this code in cable messages.

ROUTING — TERMS — RETURNS

Shipping Instructions. Unless specific instructions accompany the order, we will use our own judgment as how to ship.

Terms: Cash with Order or C. O. D.

In ordering parts, to avoid C. O. D. shipments and extra charges, all orders should be accompanied by cash. Save time and money by remitting sufficient cash to cover cost of parts and **Transportation Charges.** Stamps are accepted in payment of all orders not over \$1.00. The right to hold all

orders unaccompanied by cash is reserved by Evinrude Motors, Milwaukee.

A minimum charge of \$0.50 net will be made on all orders amounting to less than this amount. We reserve the right to furnish additional parts to make up the difference.

Instructions on Returning Parts. Parts can only be returned in accordance with terms outlined under the Service Policy laid down in the instruction manual.

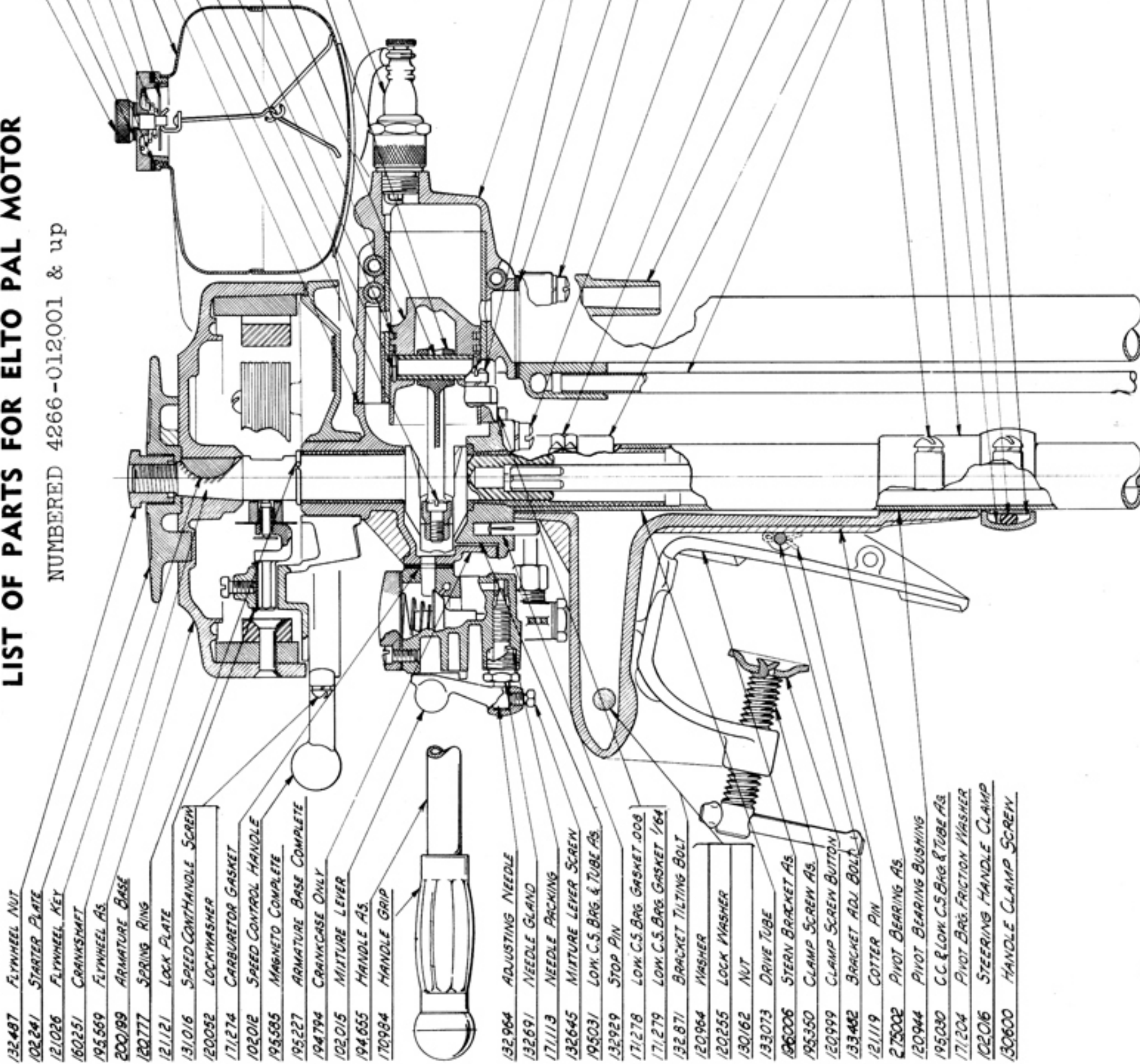
All Prices Subject to Change Without Notice

EVINRUDE MOTORS, Milwaukee, Wis., U.S.A.

Cable Address "EVINRUDE"

LIST OF PARTS FOR ELTO PAL MOTOR

NUMBERED 4266-012001 & up

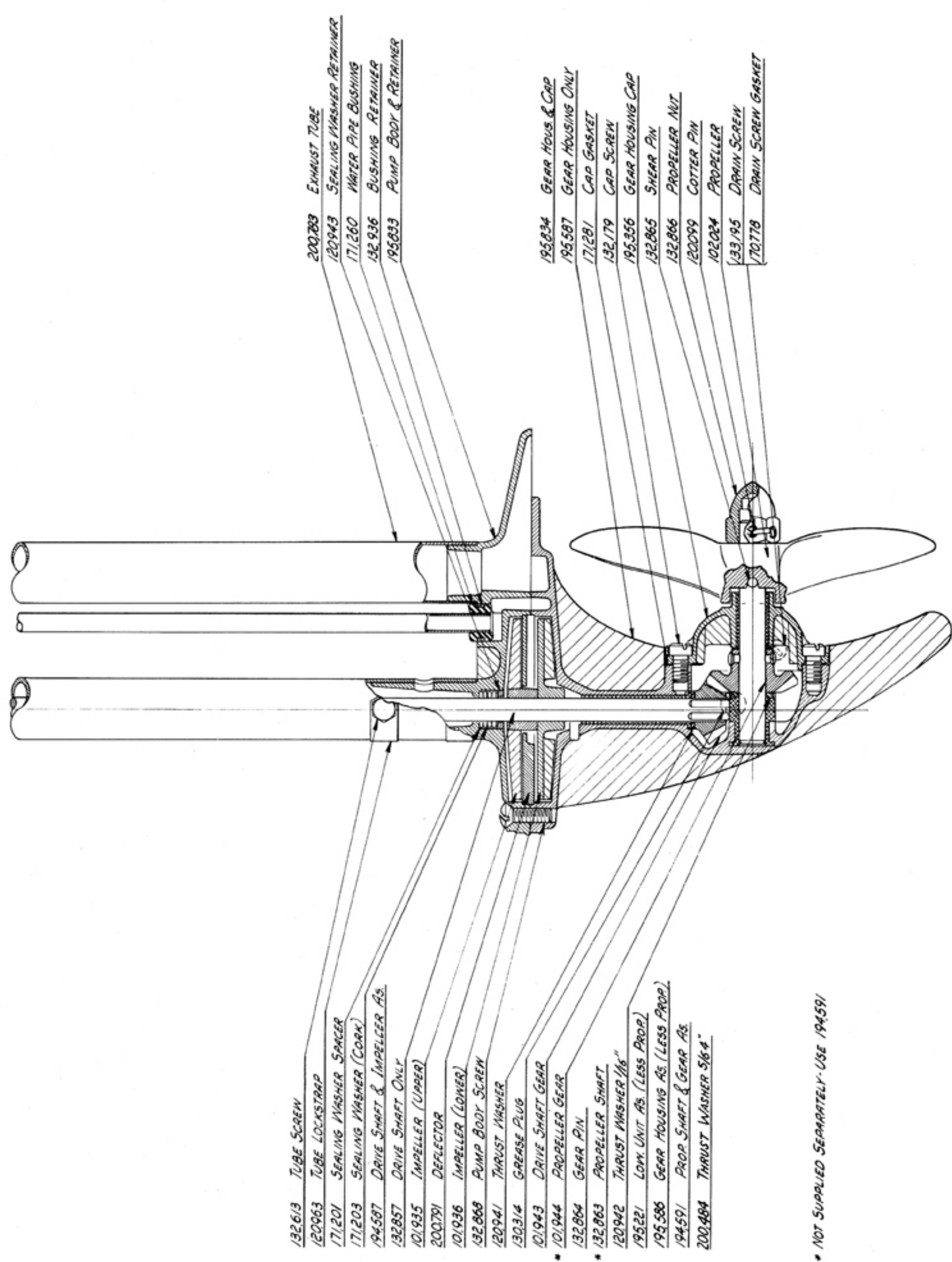


- 132487 FLYWHEEL NUT
- 102241 STARTER PLATE
- 121026 FLYWHEEL KEY
- 160251 CRANKSHAFT
- 195559 FLYWHEEL AS.
- 200199 ARMATURE BASE
- 120777 SPRING RING
- 121121 LOCK PLATE
- 131016 SPEED CONTROL HANDLE SCREW
- 120052 LOCKWASHER
- 171274 CARBURETOR GASKET
- 102012 SPEED CONTROL HANDLE
- 195585 MAGNETO COMPLETE
- 195227 ARMATURE BASE COMPLETE
- 194794 CRANKCASE ONLY
- 102015 MIXTURE LEVER
- 194655 HANDLE AS.
- 170984 HANDLE GRIP

- 132964 ADJUSTING NEEDLE
- 132591 NEEDLE GLAND
- 171113 NEEDLE PACKING
- 132645 MIXTURE LEVER SCREW
- 195031 LOW. C.S. BRG. & TUBE AS.
- 132929 STOP PIN
- 171278 LOW. C.S. BRG. GASKET .008
- 171279 LOW. C.S. BRG. GASKET 1/64
- 132871 BRACKET TILTING BOLT
- 120964 WASHER
- 120255 LOCK WASHER
- 130162 NUT
- 133073 DRIVE TUBE
- 196006 STERN BRACKET AS.
- 195350 CLAMP SCREW AS.
- 120999 CLAMP SCREW BUTTON
- 133482 BRACKET ADJ. BOLT
- 121119 COTTER PIN
- 275002 PIVOT BEARING AS.
- 120944 PIVOT BEARING BUSHING
- 195030 C.C. & LOW. C.S. BRG. & TUBE AS.
- 171204 PIVOT BRG. FRICTION WASHER
- 102016 STEERING HANDLE CLAMP
- 130600 HANDLE CLAMP SCREW

- 195550 FILLER CAP AS.
- 133411 VENT SCREW
- 170978 VENT SCREW GASKET
- 171578 CAP GASKET
- 171593 CAP SPRING
- 121150 WASHER
- 275053 GASOLINE TANK
- 171280 CYLINDER GASKET
- 132963 CONNECTING ROD SCREW
- 120960 SPRING RING
- 102025 PISTON RING
- 194804 PISTON & RINGS
- 132962 PISTON PIN
- 133374 PISTON PIN .005 OVSZ.
- 194789 CONNECTING ROD
- 200082 SPARK PLUG AS.
- 171462 GASOLINE TANK TRANSFER
- 171463 OIL & START TRANSFER
- 120266 ARM. BASE SHIM
- 200200 ARM. BASE LINER

- 195430 CYLINDER AS.
- 130395 CYLINDER SCREW
- 120054 LOCKWASHER
- 171459 EXHAUST GASKET
- 130197 EXHAUST RELIEF SCREW
- 120054 LOCKWASHER
- 130395 LOW BRG. SCREW (SHORT)
- 132395 LOW BRG. SCREW (LONG)
- 120054 LOCKWASHER
- 131147 PIVOT BEARING SCREW
- 120979 PIVOT BEARING SCREW LOCK
- 195559 EXHAUST RELIEF ONLY
- 195557 EXHAUST RELIEF AS.
- 101961 PIVOT BEARING CAP
- 132974 WATER PIPE
- 130600 PILOT SCREW
- 120054 LOCKWASHER
- 102138 PILOT
- 102139 PILOT CAP
- 171371 PILOT RUBBER
- 171370 PILOT SLEEVE



- 132.613 TUBE SCREW
- 120963 TUBE LOCKSTRAP
- 171201 SEALING WASHER SPACER
- 171203 SEALING WASHER (CORK)
- 194587 DRIVE SHAFT & IMPELLER AS.
- 132857 DRIVE SHAFT ONLY
- 101935 IMPELLER (UPPER)
- 200791 DEFLECTOR
- 101936 IMPELLER (LOWER)
- 132.868 PUMP BODY SCREW
- 120941 THRUST WASHER
- 130314 GREASE PLUG
- 101943 DRIVE SHAFT GEAR
- 101944 PROPELLER GEAR
- 132.864 GEAR PIN
- * 132.863 PROPELLER SHAFT
- 120942 THRUST WASHER 1/16"
- 195221 LOW UNIT AS. (LESS PROP.)
- 195.586 GEAR HOUSING AS. (LESS PROP.)
- 194591 PROP. SHAFT & GEAR AS.
- 200.484 THRUST WASHER 5/16"

- 200.783 EXHAUST TUBE
- 120943 SEALING WASHER RETAINER
- 171.260 WATER PIPE BUSHING
- 132.936 BUSHING RETAINER
- 195.833 PUMP BODY & RETAINER

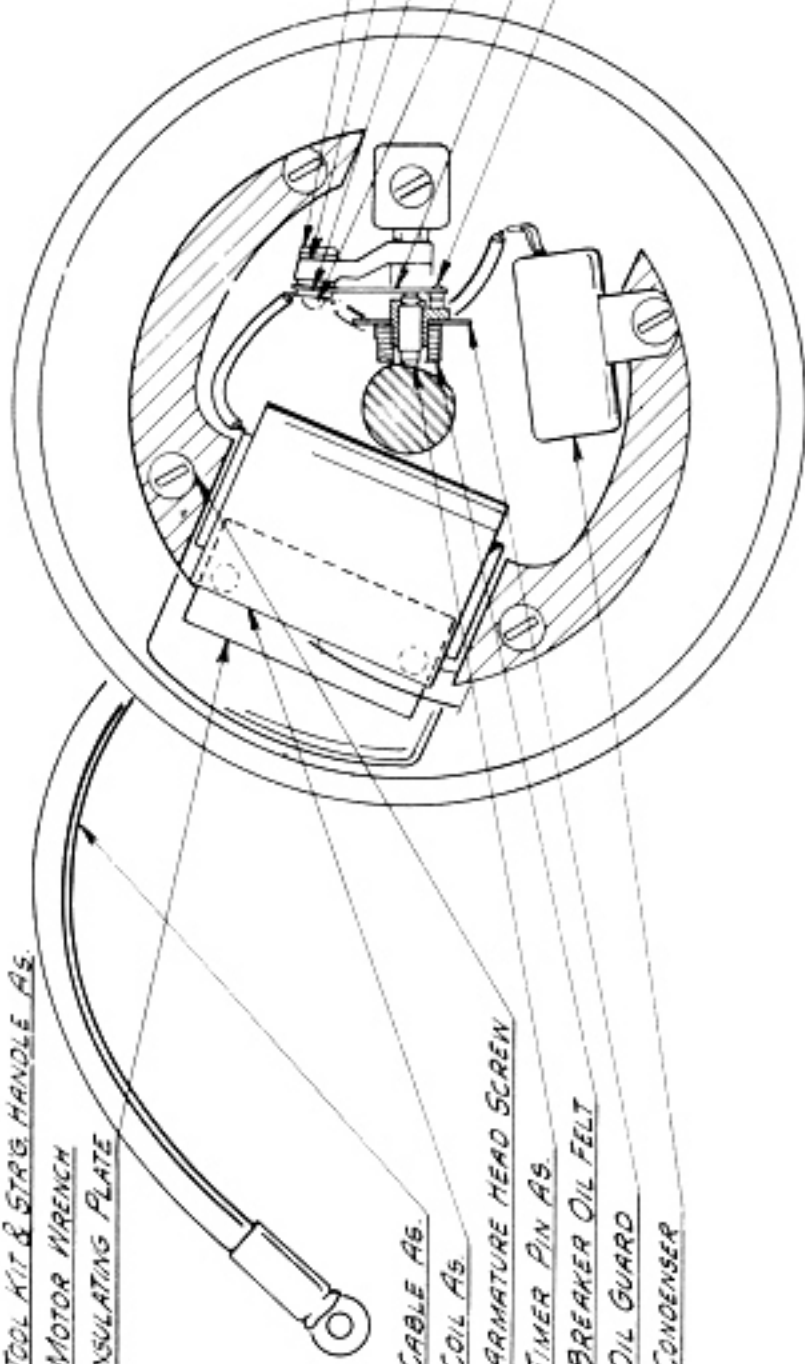
- 195.834 GEAR HOUS. & CAP
- 195.587 GEAR HOUSING ONLY
- 171.281 CAP GASKET
- 132.179 CAP SCREW
- 195.356 GEAR HOUSING CAP
- 132.865 SHEAR PIN
- 132.866 PROPELLER NUT
- 120099 COTTER PIN
- 102.024 PROPELLER
- 133.195 DRAIN SCREW
- 170.778 DRAIN SCREW GASKET

* NOT SUPPLIED SEPARATELY - USE 194591

194657 TOOL KIT & STRG. HANDLE AS.
 120970 MOTOR WRENCH
 171537 INSULATING PLATE

193374 CABLE AS.
 275019 COIL AS.
 133292 ARMATURE HEAD SCREEN
 193526 TIMER PIN AS.
 170947 BREAKER OIL FELT
 120896 OIL GUARD
 171448 CONDENSER

194521 BREAKER BRKT. & PT.
 120756 SPRING SCREW PLATE
 171065 INSULATING PLATE
 120755 CONTACT PLATE
 171186 INSULATING BUSHING
 200697 BREAKER ARM SPRING SCREEN
 194508 BREAKER AS.
 275023 CONTACT SPRING AS.
 121020 FEELER



12020 BREAKER 9711d JS 920

194036 STARTER ROPE AS.
 120001 CABLE CLAMP
 130255 CLAMP SCREW
 120052 LOCKWASHER
 194788 COCK AS.
 130900 CARBURETOR SCREW
 130494 COMP SLEEVE
 130493 COMP NUT
 171271 FLOAT
 120813 FLOAT LOCK
 132351 INLET NEEDLE
 121180 STRAINER SCREEN
 133143 GAS PIPE ONLY-Use #195229
 102130 ELBOW
 133488 STRAINER PLUG
 170945 GASKET
 195229 GAS PIPE AS.

132928 BREAKER ARM SCREW
 131771 CLAMP SCREW
 120054 LOCKWASHER
 130934 TANK SCREW
 120054 LOCKWASHER
 195143 CARBURETOR AS.
 194776 CARBURETOR COVER AS.
 171268 VALVE BUMPER
 132509 COVER SCREW
 171272 COVER GASKET
 195141 CARBURETOR BODY
 171270 VALVE SPRING
 160253 CHECK VALVE
 160219 RELIEF PIN
 132506 RELIEF PIN BUTTON

