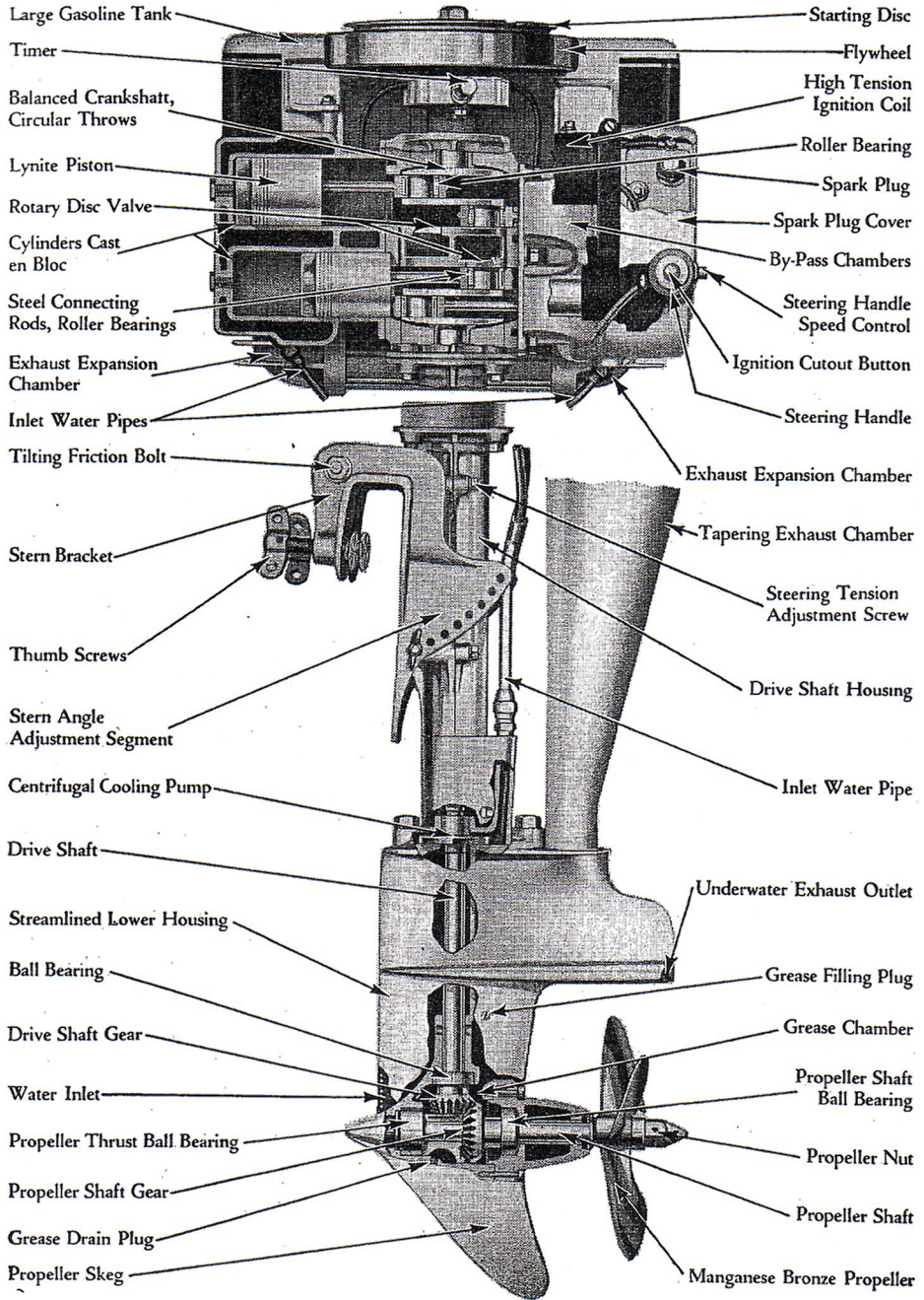


Sectional View of Quad



- Large Gasoline Tank
- Timer
- Balanced Crankshaft, Circular Throws
- Lynite Piston
- Rotary Disc Valve
- Cylinders Cast en Bloc
- Steel Connecting Rods, Roller Bearings
- Exhaust Expansion Chamber
- Inlet Water Pipes
- Tilting Friction Bolt
- Stern Bracket
- Thumb Screws
- Stern Angle Adjustment Segment
- Centrifugal Cooling Pump
- Drive Shaft
- Streamlined Lower Housing
- Ball Bearing
- Drive Shaft Gear
- Water Inlet
- Propeller Thrust Ball Bearing
- Propeller Shaft Gear
- Grease Drain Plug
- Propeller Skeg

- Starting Disc
- Flywheel
- High Tension Ignition Coil
- Roller Bearing
- Spark Plug
- Spark Plug Cover
- By-Pass Chambers
- Steering Handle Speed Control
- Ignition Cutout Button
- Steering Handle
- Exhaust Expansion Chamber
- Tapering Exhaust Chamber
- Steering Tension Adjustment Screw
- Drive Shaft Housing
- Inlet Water Pipe
- Underwater Exhaust Outlet
- Grease Filling Plug
- Grease Chamber
- Propeller Shaft Ball Bearing
- Propeller Nut
- Propeller Shaft
- Manganese Bronze Propeller

INSTRUCTIONS AND LIST OF PARTS FOR ELTO QUAD

